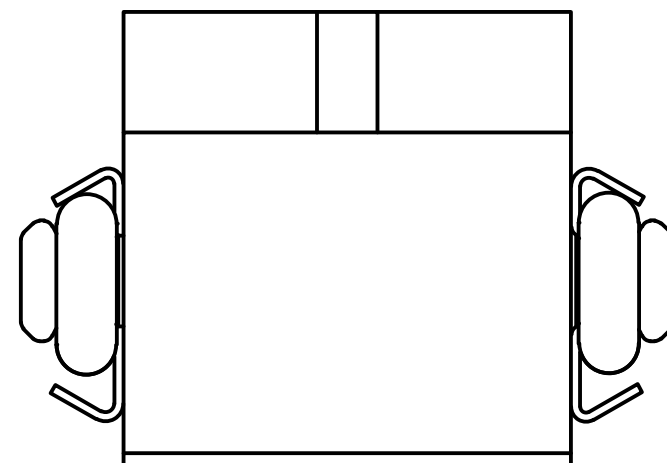
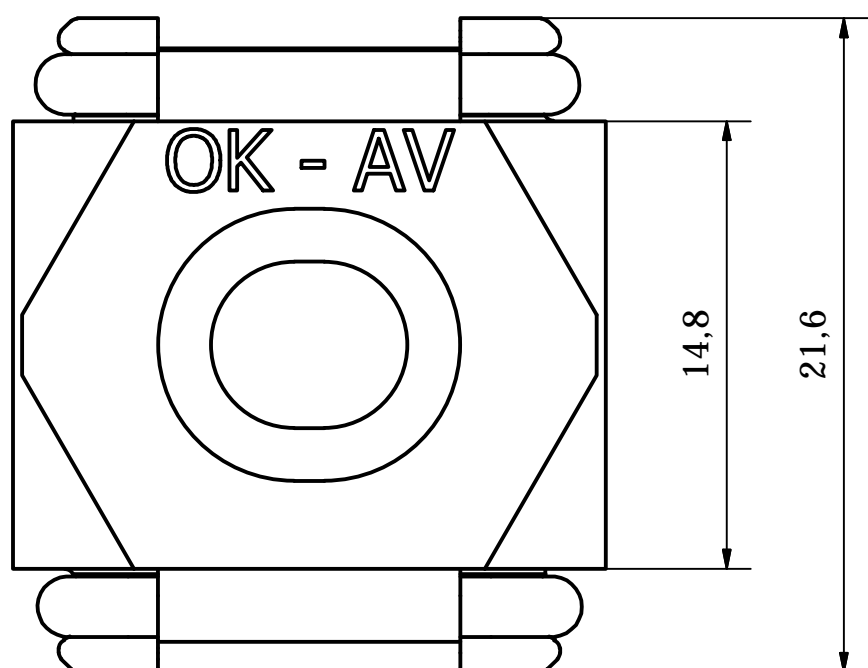
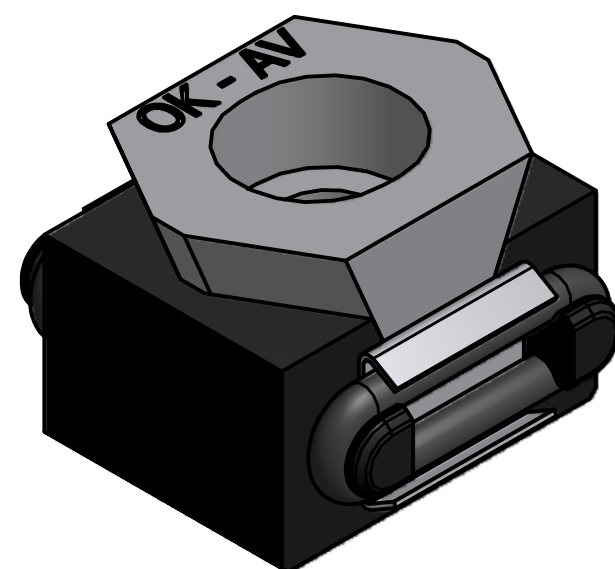


(4 : 1)



(3 : 1)



A		
MIN	OPTIMUM	MAX
20	23	25

OK - VISE MUURAME FINLAND	Material	Creation date 11.06.2024		
	Tolerance SFS-EN 22768-1	Designed by		
Title AK2-VT-DO	Approved by			Refers to
	No	Edition	Sheet 1 / 1	