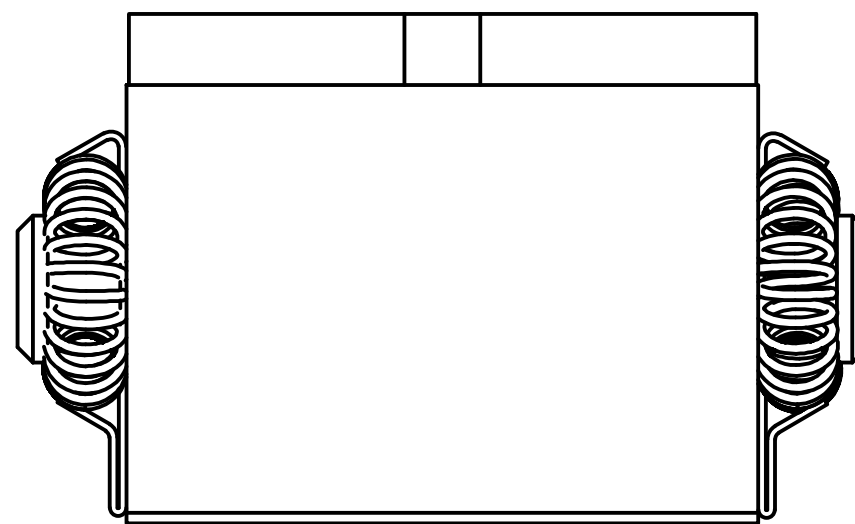
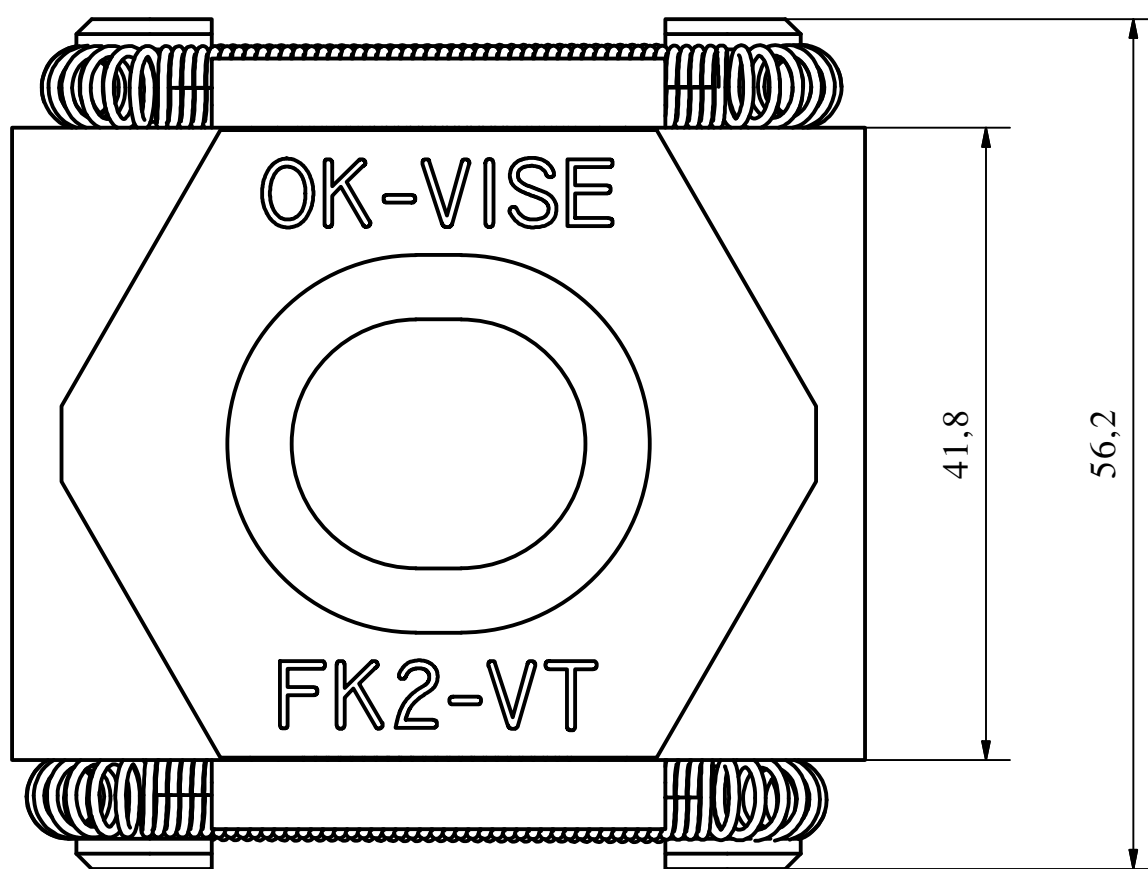
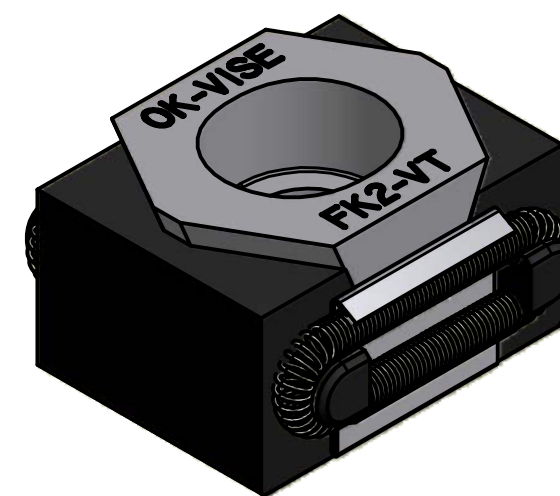


(2 : 1)



(1 : 1)



A		
MIN	OPTIMUM	MAX
57	60	64

OK - VISE MUURAME FINLAND	Material	Creation date 11.06.2024		
	Tolerance SFS-EN 22768-1	Designed by		
Title FK2-VT-D	Approved by		Refers to	
	No	Edition	Sheet	
			1 / 1	